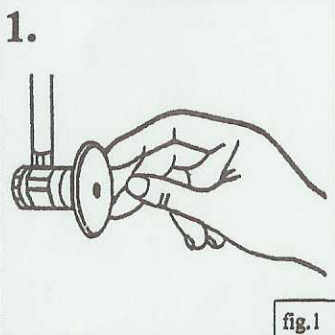
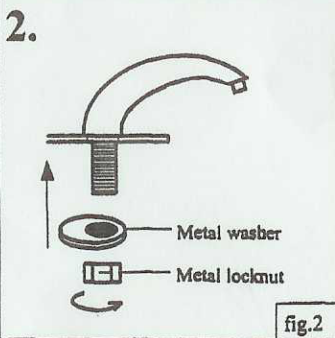


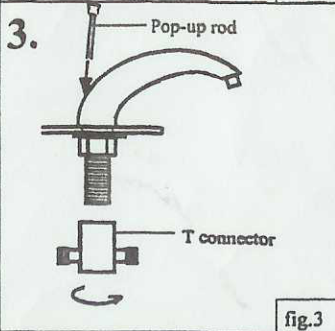
(This faucet DOES NOT INCLUDES additional tubings and/or fittings which might be necessary to complete this job.) (Use Teflon tape or pipe compound on all water conections.)



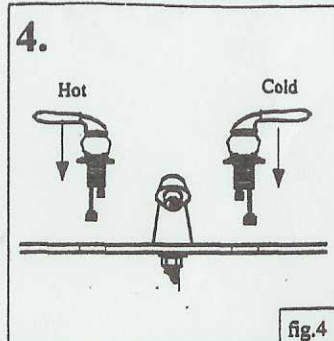
Turn off the water supply to the faucet under sink. Remove existing faucet. Clean area on lavatory surface for installation of new faucet. Make sure drain is closed or blocked to avoid small parts from falling down the drain



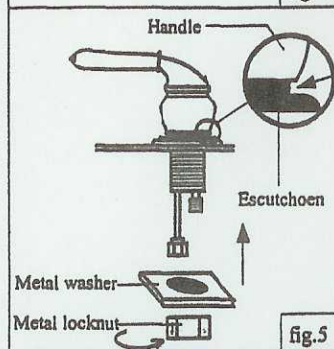
Install new faucet spout assembly into the center hole of the sink. Align spout and then tighten the included mounting hardware (metal washer and locknut) from underneath the sink.



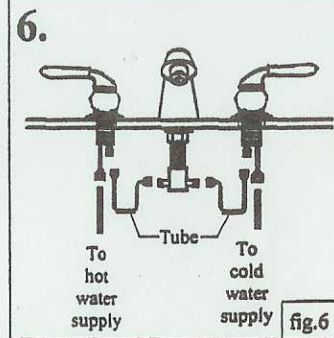
Screw "T" connector onto the end of the spout and stop until it seals. Insert pop-up rod into the hole on top of the spout.



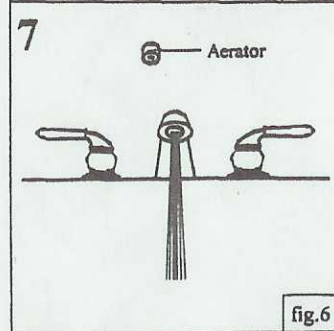
Insert the new faucet handles through the other two holes on the sink. Be sure the hot is on the left side and cold is on the right side. Handle/stem on the left (cold) is labeled with a red o-ring.



Hold the handles in proper position and tighten the included mounting hardware (metal washer and locknut) from underneath the sink. Reposition chrome escutchoens as necessary to a desired height.



Connect included water hoses between the "T" connector and both hot and cold handle assemblies. Also, connect both hot and cold water supply tube to the bodies. Tighten firmly and be careful not to over-tighten.



Remove aerator then turn on water (both lines) for 1 min, and check for any leaks. This will remove debris in the pipe so the aerator will not be clogged. If properly installed, minor leaks can be stopped by tightening nuts.